



SIGNAL ANTENNA SYSTEMS
MODEL: SA V960-1 OMNI

Product Data Sheet

SA V-960-1 OMNI: Rugged, high power omni-directional antenna for use on ground, vehicle, and marine installations. Wide elevation plane beamwidth allows for reliable coverage. Operating in the 960-1220 MHz frequency band V960-1 supports variety of tactical communication systems: Joint Tactical Information Distribution System (JTIDS), Link16 Tactical Communications (969-1206 MHz), IDS Multifunctional Information Distribution System (MIDS), and JTRS Joint Tactical Radio System (JTRS).

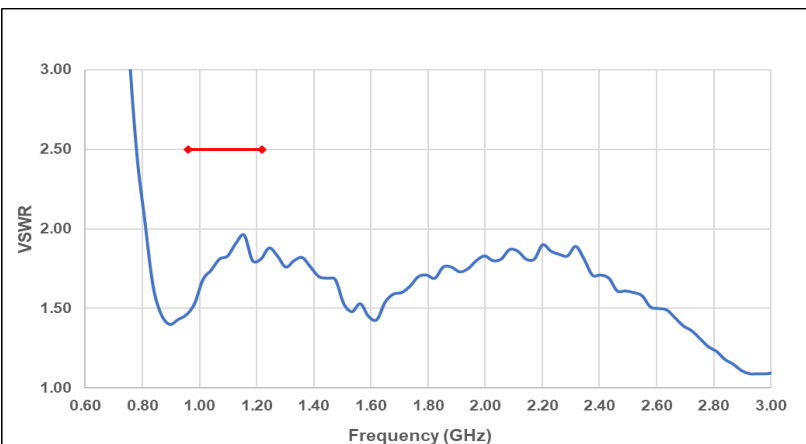
FEATURES:

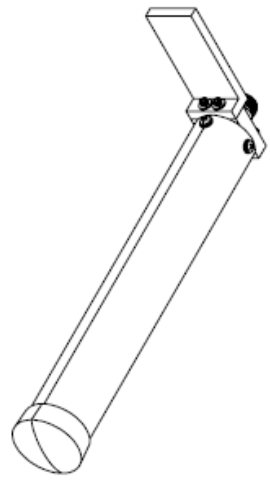
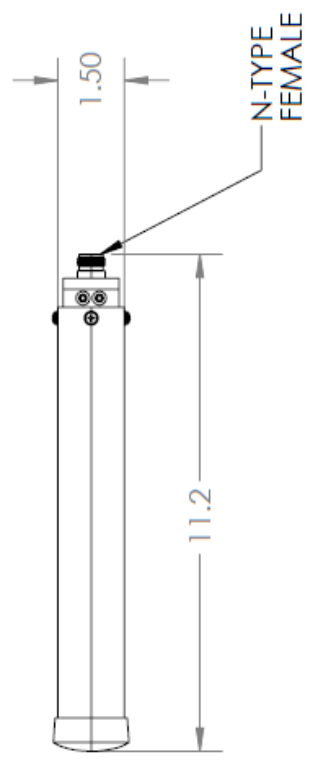
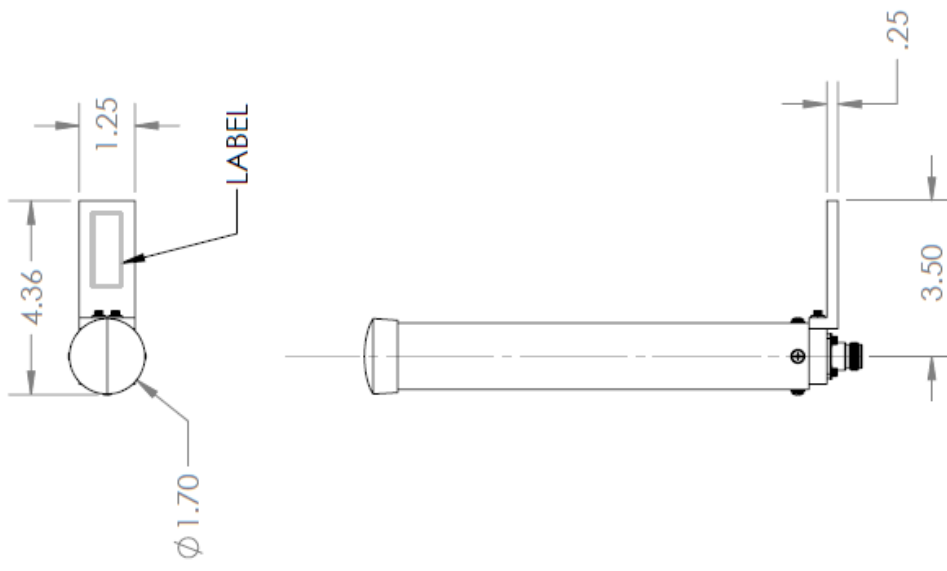
- Link 16,
- High Power Handling
- Rugged
- Sealed construction



PERFORMANCE CHARACTERISTICS

<i>RF and Electrical</i>	
Specified Frequency Range	960 – 1220 MHz
Useful Frequency Range	800 – 3000 MHz
Gain	+2 dBi
3-dB Beamwidth (E-Plane)	80.0°
3-dB Beamwidth (H-Plane)	360.0°
Polarization	Linear
VSWR	2.5:1
Power Handling	200 Watts
<i>MECHANICAL</i>	
Dimensions	11" high x 1.3"diam.
Weight	12 oz
Mounting	2-hole bolt pattern or base/bracket
<i>INTERFACE</i>	
N-Type Female	
<i>ENVIRONMENTAL</i>	
Operating Temperature	-55° to 75°
Wind Survival	100 mph





UNLESS OTHERWISE SPECIFIED:		NAME	DATE
DIMENSIONS ARE IN INCHES		A.K.	02/21/22
TOLERANCES: 0.05		A.M.	02/21/22
FRACTIONAL ±		A.M.	02/21/22
ANGULAR: MACH ± BEND ±		A.M.	02/21/22
TWO PLACE DECIMAL ±0.01		A.M.	02/21/22
THREE PLACE DECIMAL ±0.005		A.M.	02/21/22
INTERPRET GEOMETRIC TOLERANCING PER:		A.M.	02/21/22
PROPRIETARY AND CONFIDENTIAL			
THE INFORMATION CONTAINED IN THIS DRAWING IS THE SOLE PROPERTY OF SIGNAL ANTENNA SYSTEMS, INC. ANY REPRODUCTION IN PART OR AS A WHOLE WITHOUT THE WRITTEN PERMISSION OF SIGNAL ANTENNA SYSTEMS, INC. IS PROHIBITED.			
CAGE CODE		OBD62	
FINISH		FLAT BLACK PAINT	
DO NOT SCALE DRAWING			
DRAWN		SIGNAL ANTENNA SYSTEMS, INC.	
CHECKED		TITLE:	
ENG. APPR.		SA V960-1 OMNI ANTENNA, L-BAND (960-1220 MHZ)	
MFG APPR.		SIZE	
G.A.		A	
DWG. NO.		SA-V960-1-OMNI-DWG-REV-A	
REV		A	
SCALE: 1:4		WEIGHT: 18 OZ	
SHEET 1 OF 1		SHEET 1 OF 1	