

4

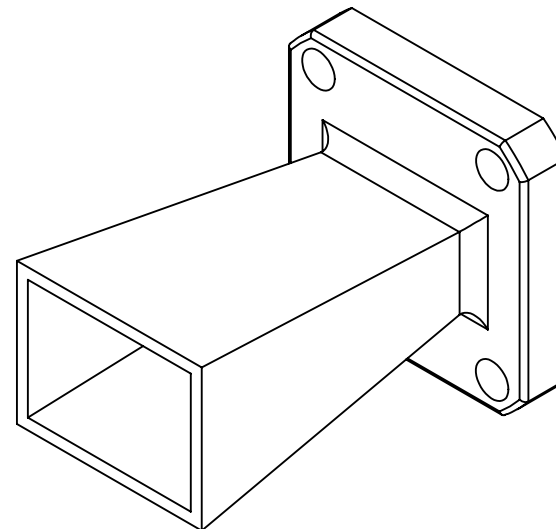
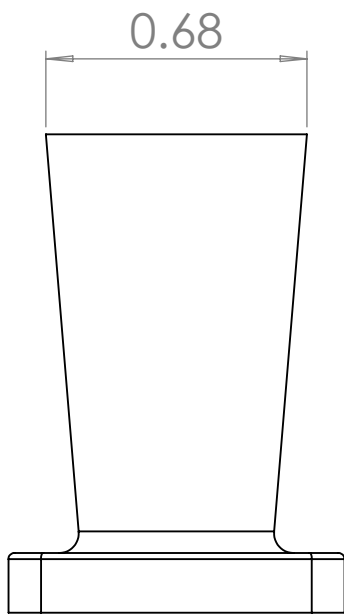
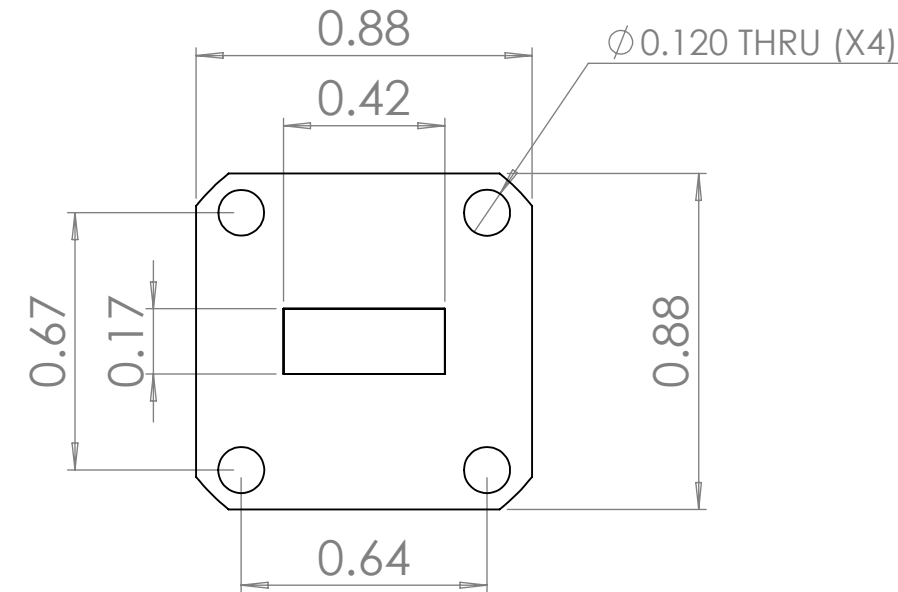
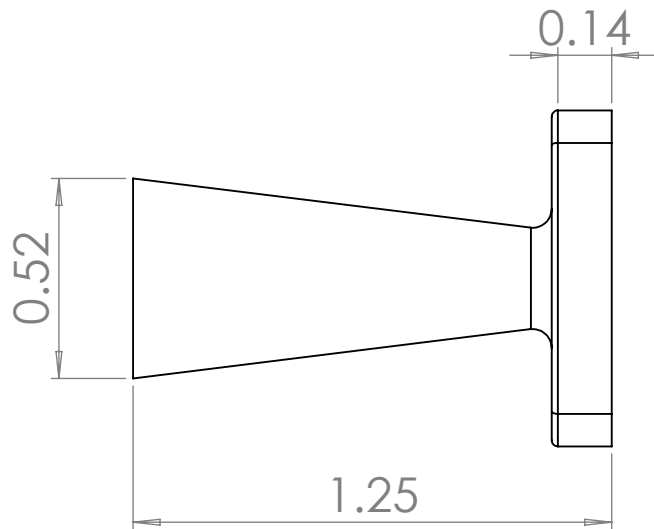
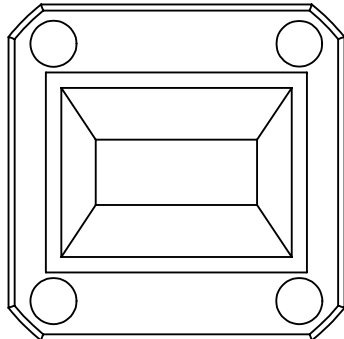
3

2

1

B

B



A

A

PROPRIETARY AND CONFIDENTIAL  
 THE INFORMATION CONTAINED IN THIS  
 DRAWING IS THE SOLE PROPERTY OF  
 SIGNAL ANTENNA SYSTEMS. ANY  
 REPRODUCTION IN PART OR AS A WHOLE  
 WITHOUT THE WRITTEN PERMISSION OF  
 SIGNAL ANTENNA SYSTEMS IS  
 PROHIBITED.

		UNLESS OTHERWISE SPECIFIED:	NAME	DATE		
		DIMENSIONS ARE IN INCHES	DRAWN			
		TOLERANCES:	CHECKED			
		FRACTIONAL ±	ENG APPR.			
		ANGULAR: MACH ± BEND ±	MFG APPR.			
		TWO PLACE DECIMAL ±	Q.A.			
		THREE PLACE DECIMAL ±	COMMENTS:			
		INTERPRET GEOMETRIC TOLERANCING PER:				
		MATERIAL				
		FINISH				
NEXT ASSY	USED ON					
APPLICATION		DO NOT SCALE DRAWING				
			TITLE:			
			<b>Standard Gain Horn Antenna, K-Band (18.0 - 26.0 GHz)</b>			
SIZE	DWG. NO.	REV				
<b>B</b>	SGHA10K-01	<b>A</b>				
SCALE: 2:1		WEIGHT:	SHEET 1 OF 1			

4

3

2

1